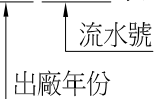
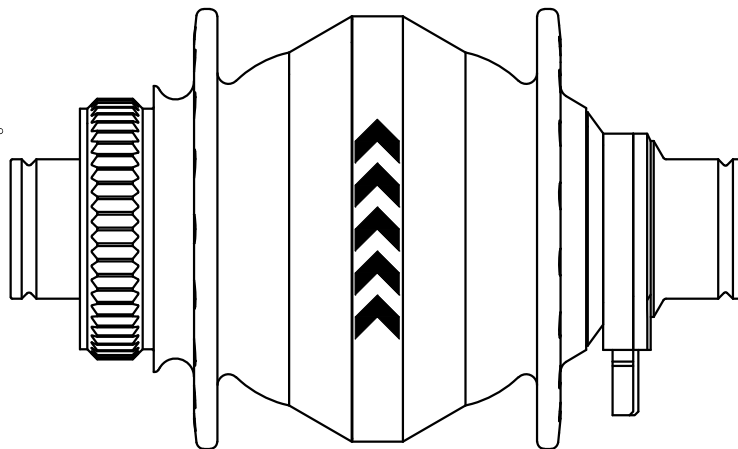


Product Specification

NOTE1. 出廠序號 : 2018-99999 字型大小:1.2mm。

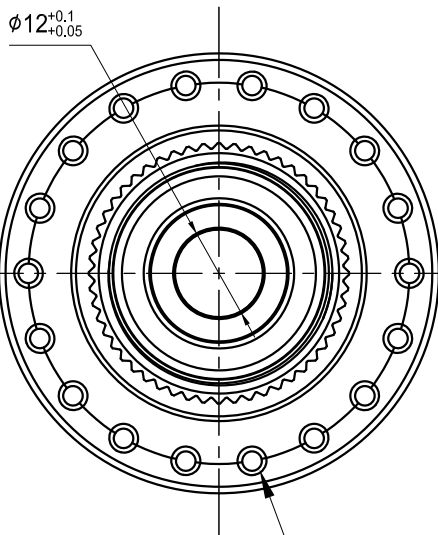
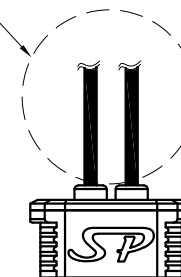


雷刻方式：正反兩面不同 logo，雷刻圖樣須符合圖面。

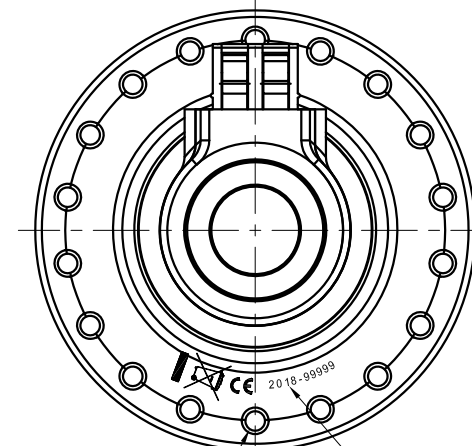
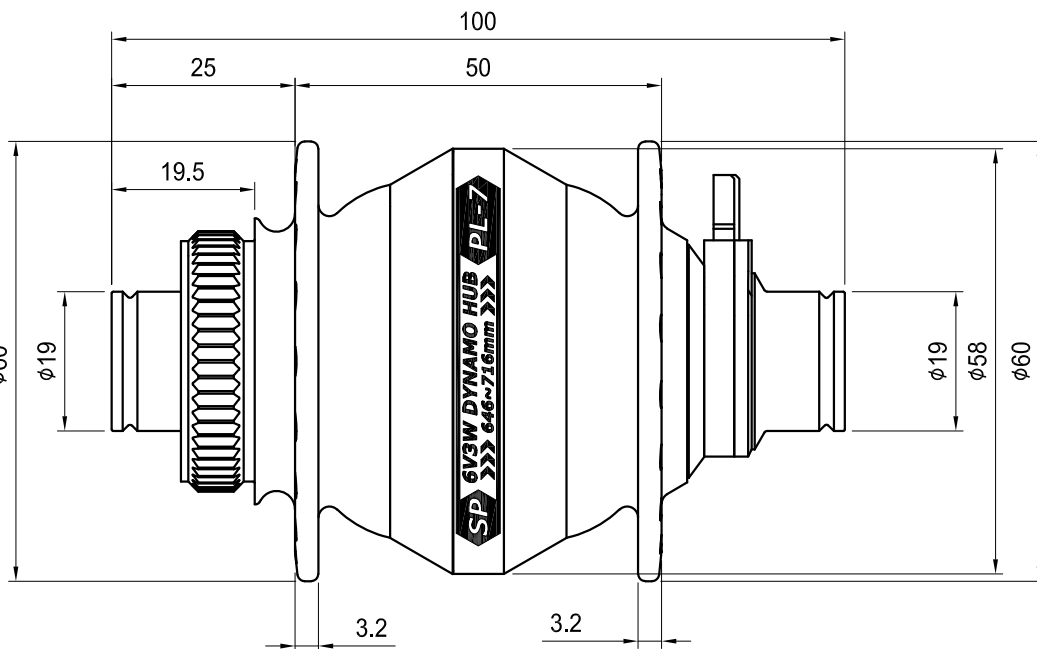


Item	Specification
Axle Fixing Bolt	QR
Spoke Hole	32 / 36
Seal	Bearing *2
Output Volage	6V3W
Wheel Diameter	646~716mm
Weight	409g

Electric wire



Spoke Hole  
 $\phi 2.7^{+0.1}_{+0.05}$  - PCD $\phi 52$



Spoke Hole  
 $\phi 2.7^{+0.1}_{+0.05}$  - PCD $\phi 52$       NOTE1

Version Date: 2018.10.26

UNIT:mm	SCALE	TOLERANCE	Hub dynamo	
	1:1	$\pm 0.5$	SP Model	7 Series
MAKE	CHECK	CONFORM	MODEL	
<b>PL-7-01</b>				

	2018.10.26		重量由395g變更409g
	Version Date	ECR No.	Description