

Product Specification

PV-8

Item

Specification

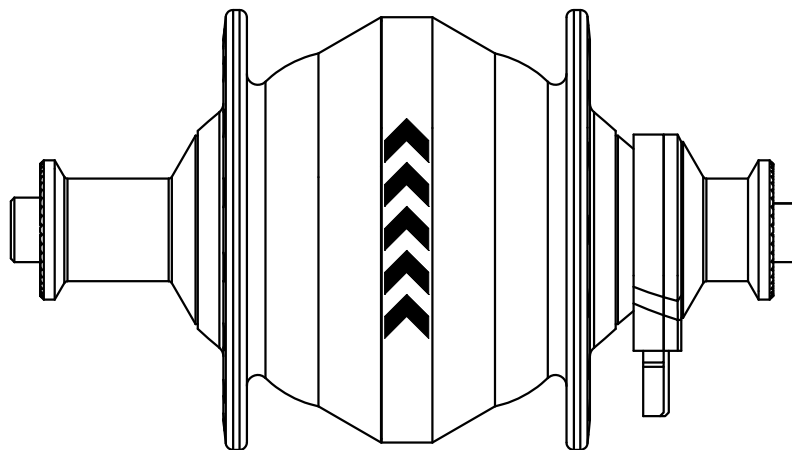
NOTE1. 出廠序號 : 2016-00001 字型大小:1.2mm。

雷刻方式：正反兩面不同 logo，雷刻圖樣須符合圖面。

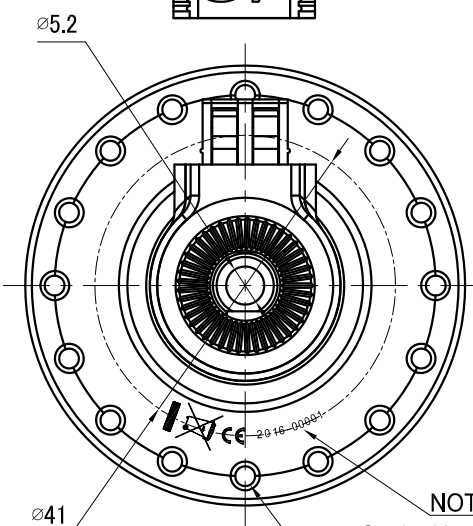
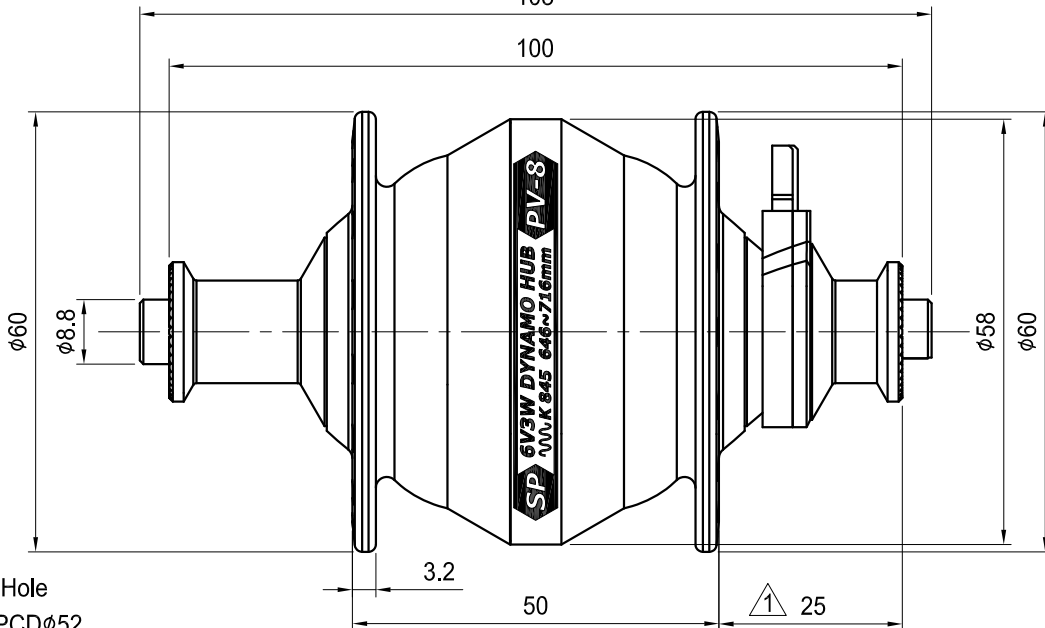
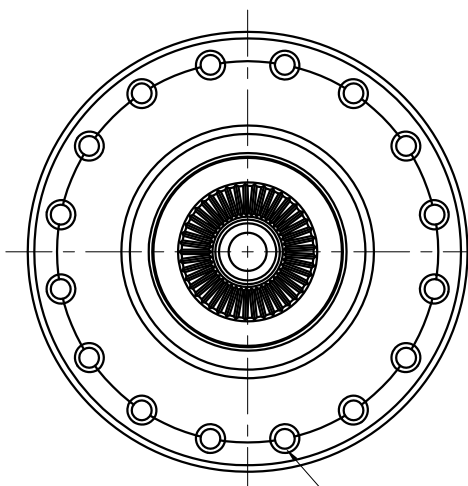
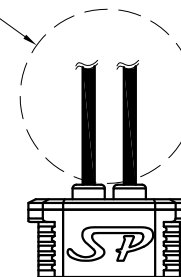
流水號(依數量)

出廠年份

Axle Fixing Bolt	QR
Spoke Hole	20/24/28/32/36
Seal	Bearing *2
Output Volage	6V3W
Wheel Diameter	646 ~ 716 mm
Weight	390 g



Electric wire



Spoke Hole
 $\phi 2.7^{+0.1}_{+0.05}$ - PCD $\phi 52$

NOTE1
 Spoke Hole
 $\phi 2.7^{+0.1}_{+0.05}$ - PCD $\phi 52$

Version Date: 2016.03.25

UNIT:mm	SCALE	TOLERANCE	Hub dynamo	
	1:1	± 0.5		
MAKE	CHECK	CONFORM	SP Model	8 Series
			MODEL	PV-8-01



2016.03.25

尺寸更正



Version Date

ECR No.

Description