

Product Specification

SV-8

Item

Specification

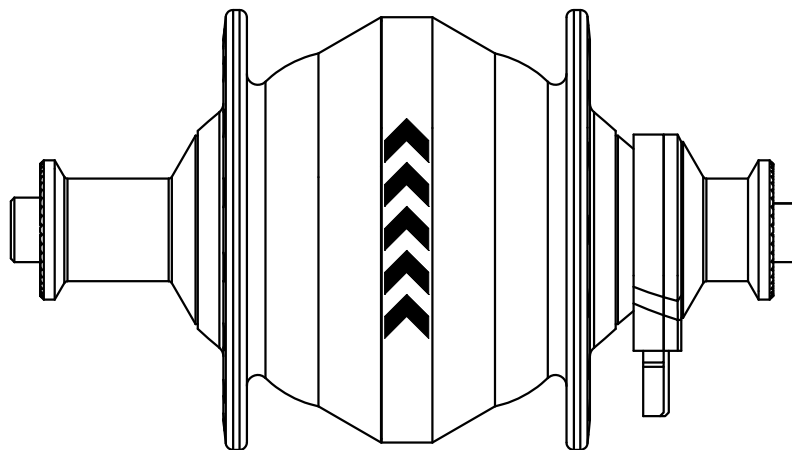
NOTE1. 出廠序號 : 2016-00001 字型大小:1.2mm。

雷射方式：正反兩面不同 logo，雷射圖樣須符合圖面。

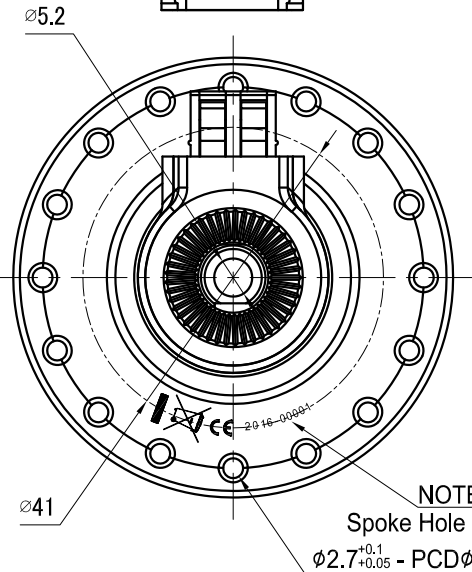
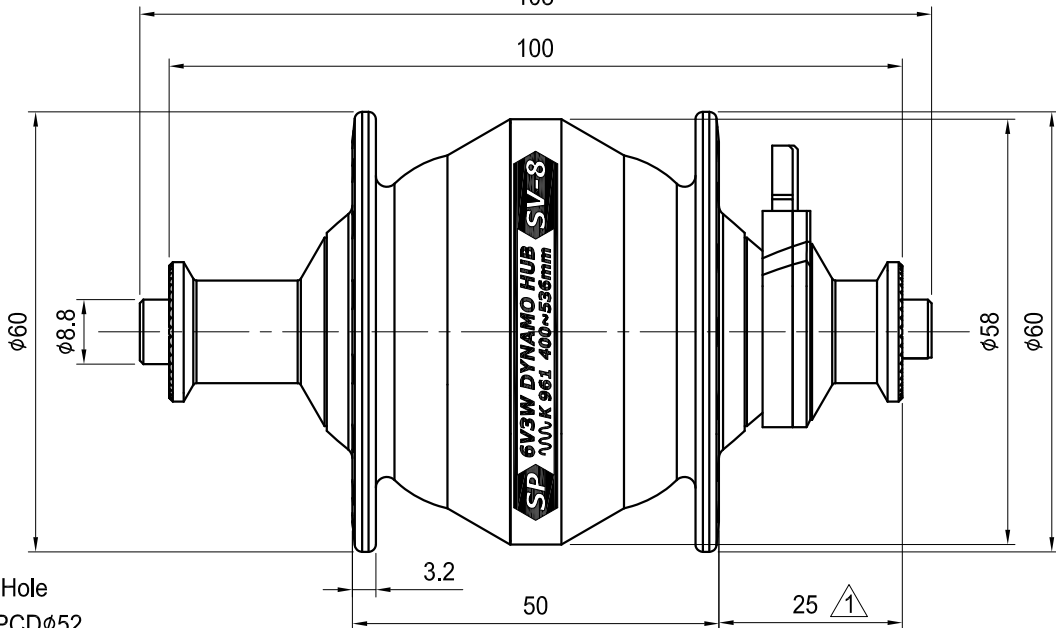
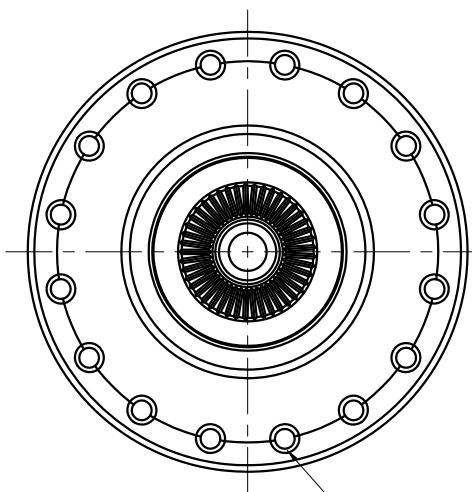
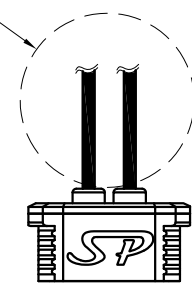
流水號(依數量)

出廠年份

| | |
|------------------|----------------|
| Axle Fixing Bolt | QR |
| Spoke Hole | 20/24/28/32/36 |
| Seal | Bearing *2 |
| Output Volage | 6V3W |
| Wheel Diameter | 400 ~ 536 mm |
| Weight | 357 g |



Electric wire



Spoke Hole
 $\phi 2.7^{+0.1}_{-0.05}$ - PCD $\phi 52$

NOTE1
 Spoke Hole
 $\phi 2.7^{+0.1}_{-0.05}$ - PCD $\phi 52$

Version Date: 2016.08.08

| | | |
|---------|-------|-----------|
| UNIT:mm | SCALE | TOLERANCE |
| | 1:1 | ± 0.5 |
| MAKE | CHECK | CONFORM |

| | |
|------------|----------|
| Hub dynamo | |
| SP Model | 8 Series |
| MODEL | |
| SV-8-02 | |

| | | | |
|--|--------------|---------|-------------|
| | 2016.08.08 | | 重量減輕變更 |
| | 2016.03.25 | | 尺寸更正 |
| | Version Date | ECR No. | Description |