

Product Specification

SL-9

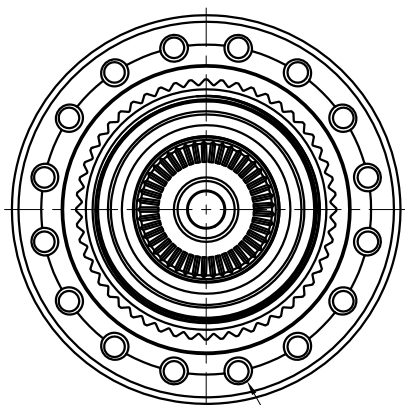
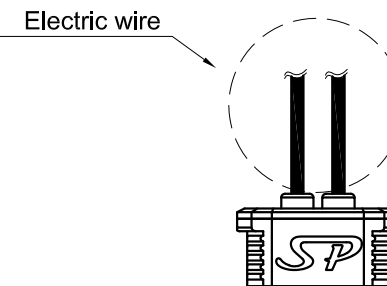
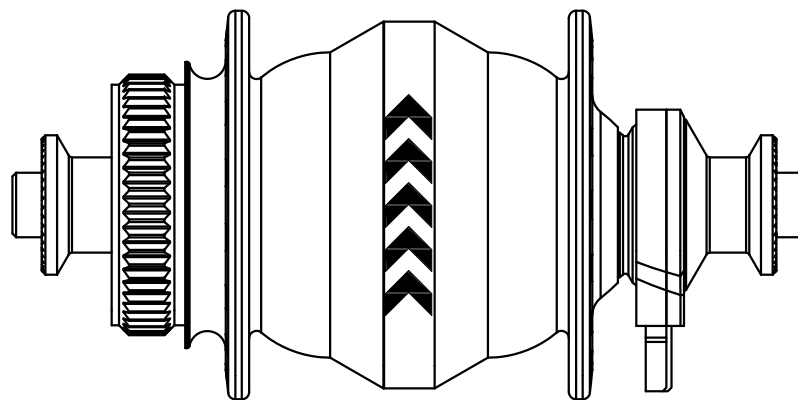
Item

Specification

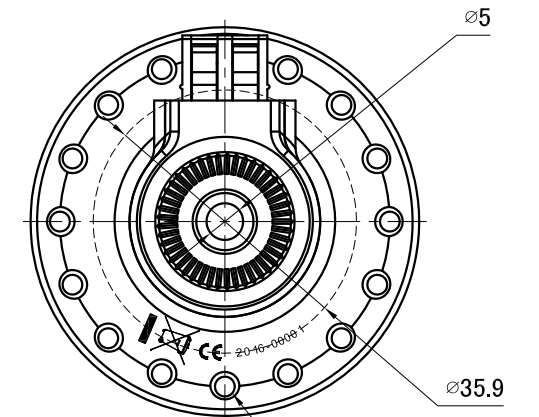
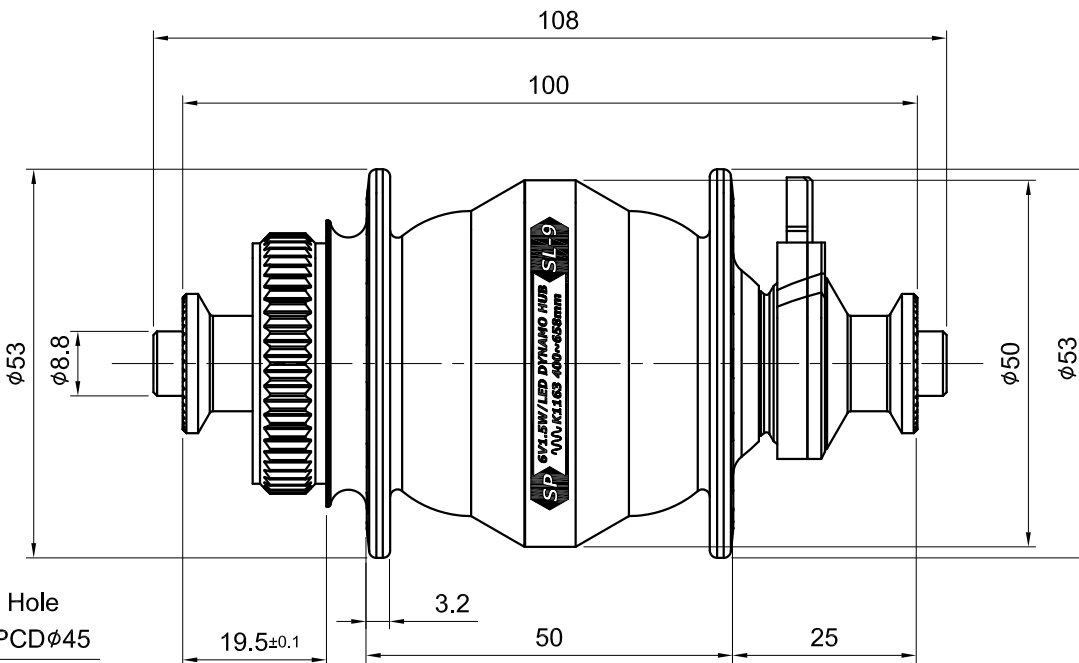
NOTE1. 出廠序號 : 2016-00001 字型大小:1.2mm

↑ 流水號(依數量)
↑ 出廠年份

Axle Fixing Bolt	QR
Spoke Hole	20/24/28/32/36
Seal	Bearing*2
Output Volage	6V1.5W/LED
Wheel Diameter	400~658mm
Weight	323g



Spoke Hole
 $\phi 2.7^{+0.1}_{+0.05}$ -PCD $\phi 45$



Spoke Hole
 $\phi 2.7^{+0.1}_{+0.05}$ - PCD $\phi 45$

Version Date: 2016.05.25

5	2015.02.25		部品料號和設計變更
4	2015.01.04		部品料號變更
3	2015.08.17		流水號樣式變更
△	Version Date	ECR No.	Description

UNIT:mm	SCALE	TOLERANCE
	1 : 1	±0.5
MAKE	CHECK	CONFORM

Hub dynamo	
SP Model	9 Series
MODEL	
SL-9-QR-05	