

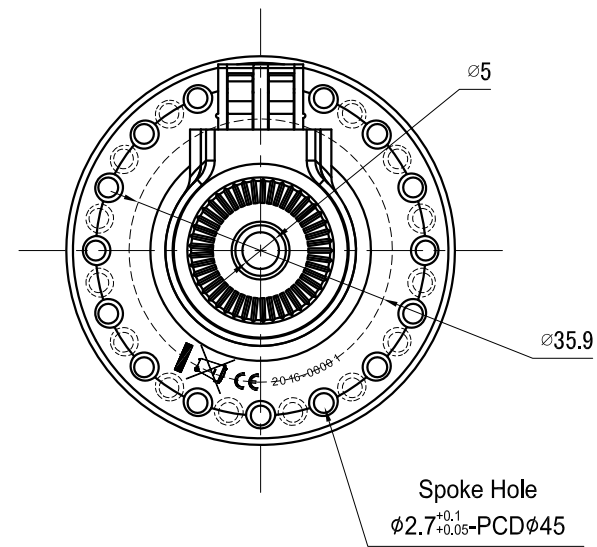
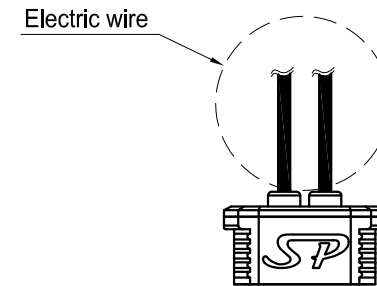
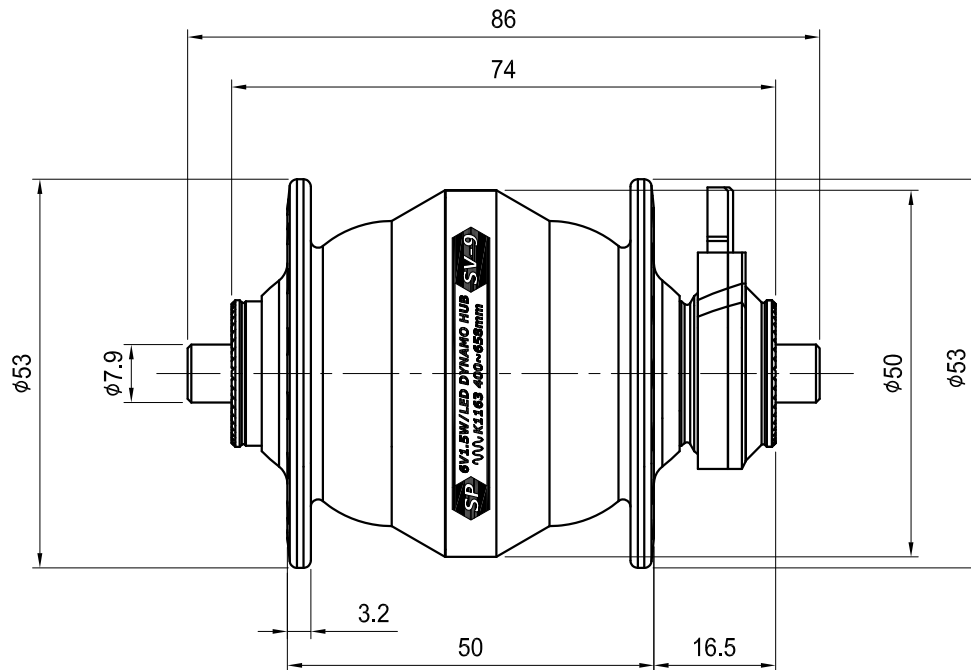
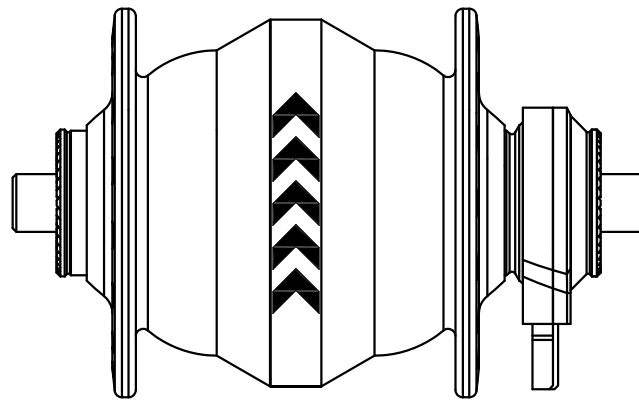
Product Specification

SV-9-FB

Item	Specification
Axle Fixing Bolt	QR
Spoke Hole	20/24/28/32/36
Seal	Bearing*2
Output Volage	6V1.5W/LED
Wheel Diameter	400~658mm
Weight	299g

NOTE1. 出廠序號 : 2016-00001 字型大小:1.2mm

流水號(依數量)
出廠年份



Version Date: 2016.05.27

Version	Version Date	ECR No.	Description
5	2016.02.25		部品料號和設計變更
4	2015.11.20		雷標樣式變更
3	2015.08.17		增加Wheeled、CE雷標樣式和流水號位置
	Version Date	ECR No.	Description

UNIT:mm	SCALE	TOLERANCE	Hub dynamo	
	1:1	±0.5	SP Model	9 Series
MAKE	CHECK	CONFORM	MODEL	
			SV-9-FQR-05	