

Product Specification

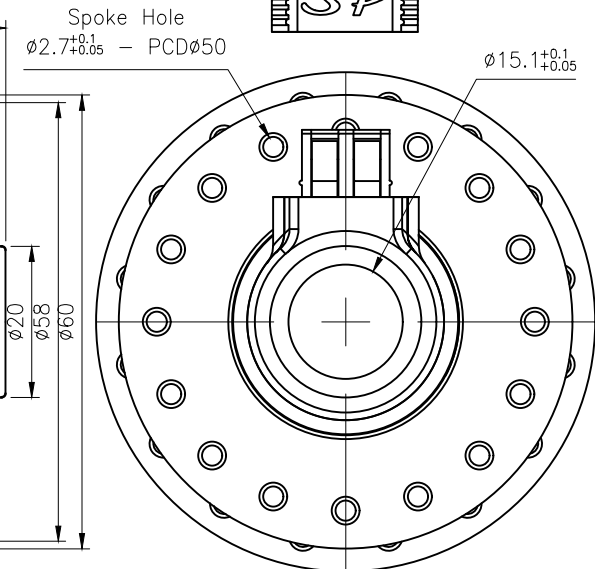
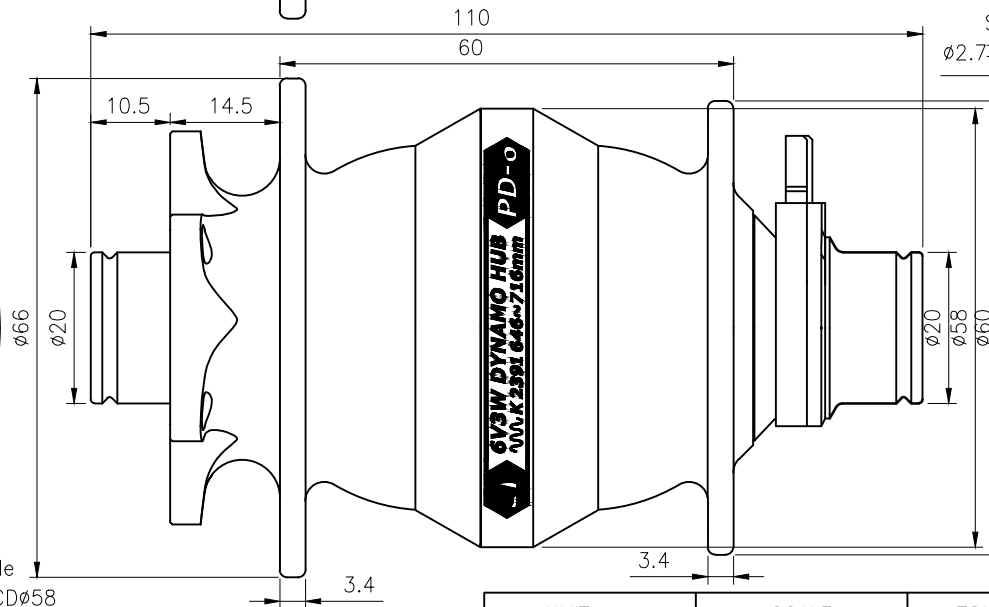
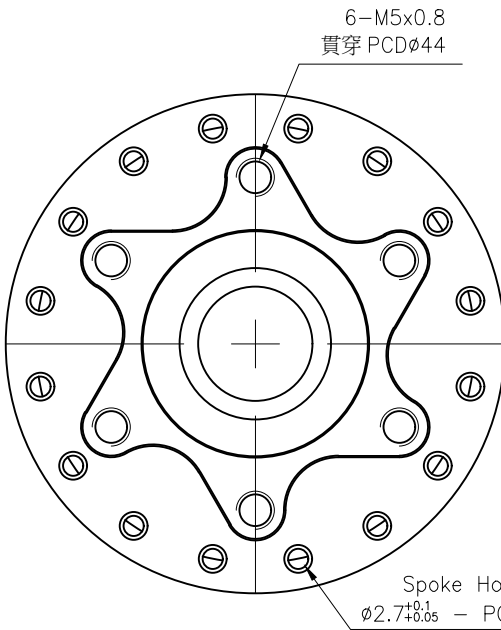
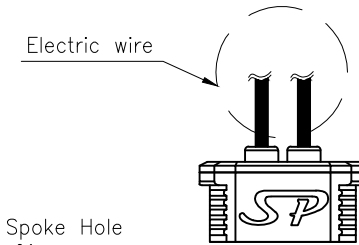
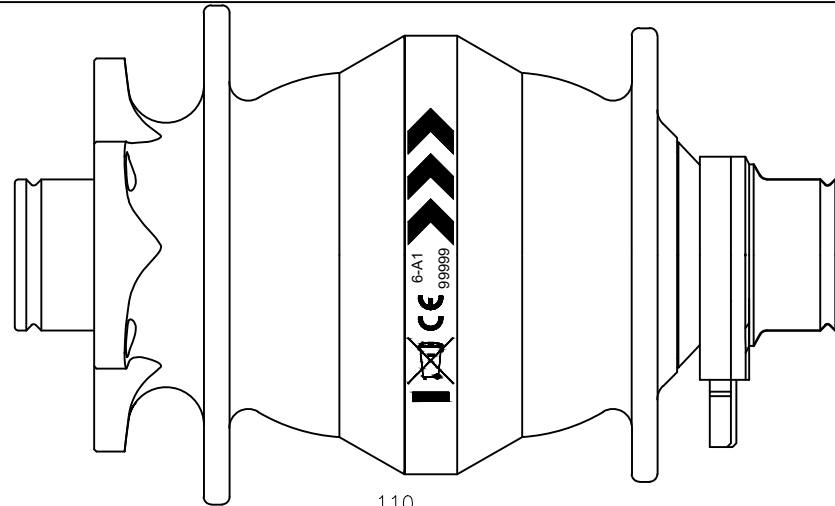
PD-6-110

Item

Specification

NOTE : Hub Serial No. :  $\frac{6-A1}{99999}$ , Font size : 1.4mm.  
 Product Code  
 Serial No.

Axle Type	15mm thru-axle
Spoke Holes	24/28/32/36
Output	6V3W
Wheel Diameter	646 ~ 716 mm
Weight	380g



UNIT:mm	SCALE	TOLERANCE	Hub dynamo	
	1:1	±0.5	SP Model	6 Series
DRAWN	CHECKED	APPROVED	MODEL	
			PD-6-110-00	

△	Date	ECR No.	Description
---	------	---------	-------------