

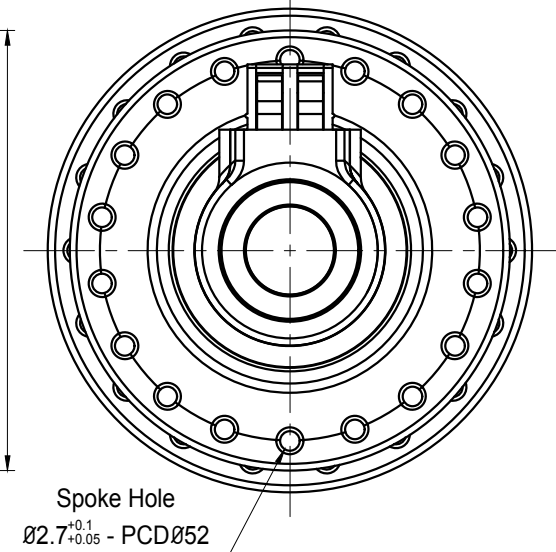
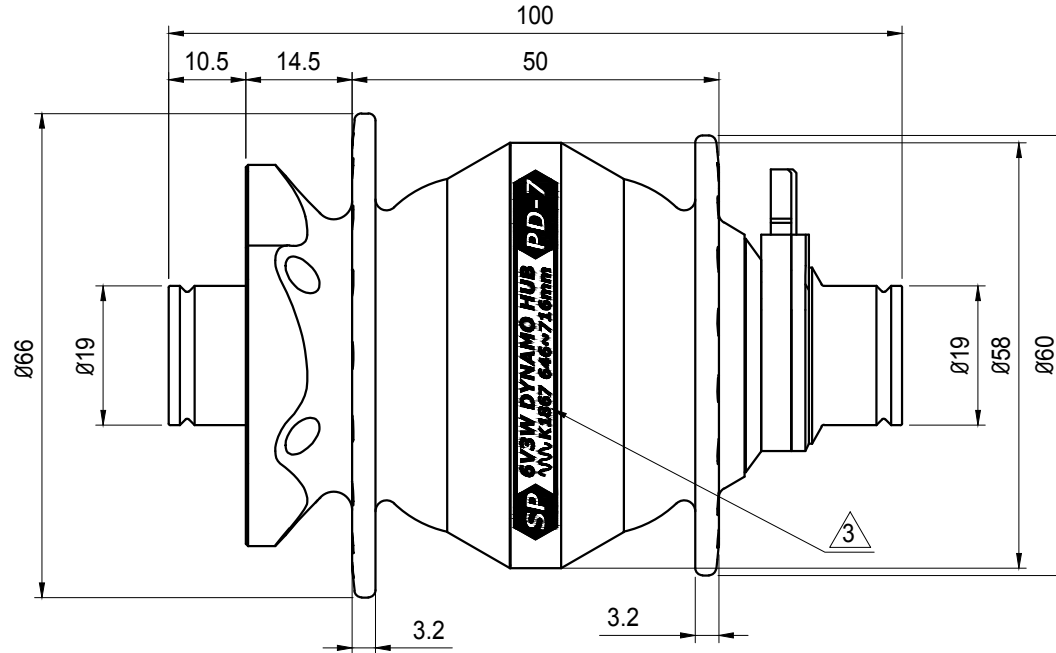
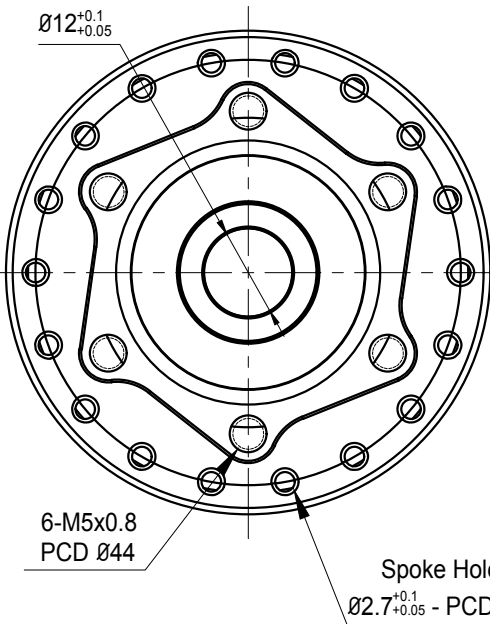
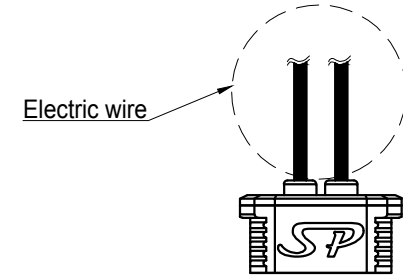
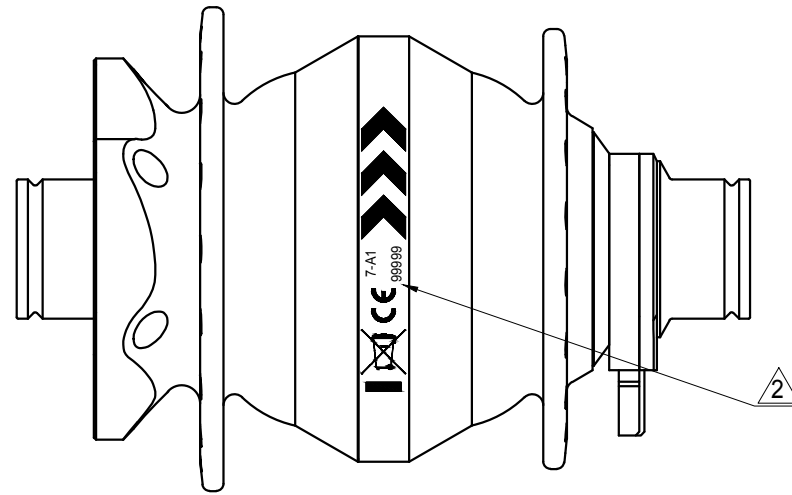
Product Specification

PD-7

Item	Specification
Axle Fixing Bolt	QR
Spoke Hole	32 / 36
Seal	Bearing *2
Output Volage	6V3W
Wheel Diameter	646~716mm
Weight	$\triangle 1$ 419
Dynamo	MD005

Laser etching way: Both sides with different patterns, which should follow the drawing.

NOTE : Hub Serial No. : $\frac{7-A1}{99999}$, Font size : 1.4 mm.
 Product Code
 Serial No.



Version Date: 2020.12.29

\triangle	Version Date	ECR No.	Description
$\triangle 3$	2020.12.29		Laser etching way is change
$\triangle 2$	2020.07.21		Laser etching way is change
$\triangle 1$	2018.10.26		Modification of weight from 410g to 419g
\triangle	Version Date	ECR No.	Description

UNIT:mm	SCALE	TOLERANCE
	1:1	± 0.5
MAKE	CHECK	CONFORM

Hub dynamo	
SP Model	7 Series
MODEL	
PD-7-03	