

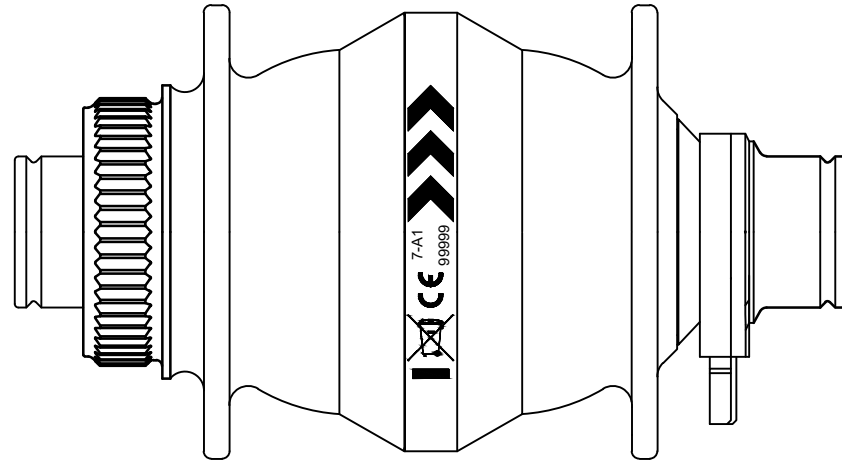
Product Specification

PL-7-110

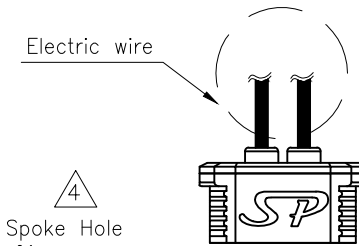
Item

Specification

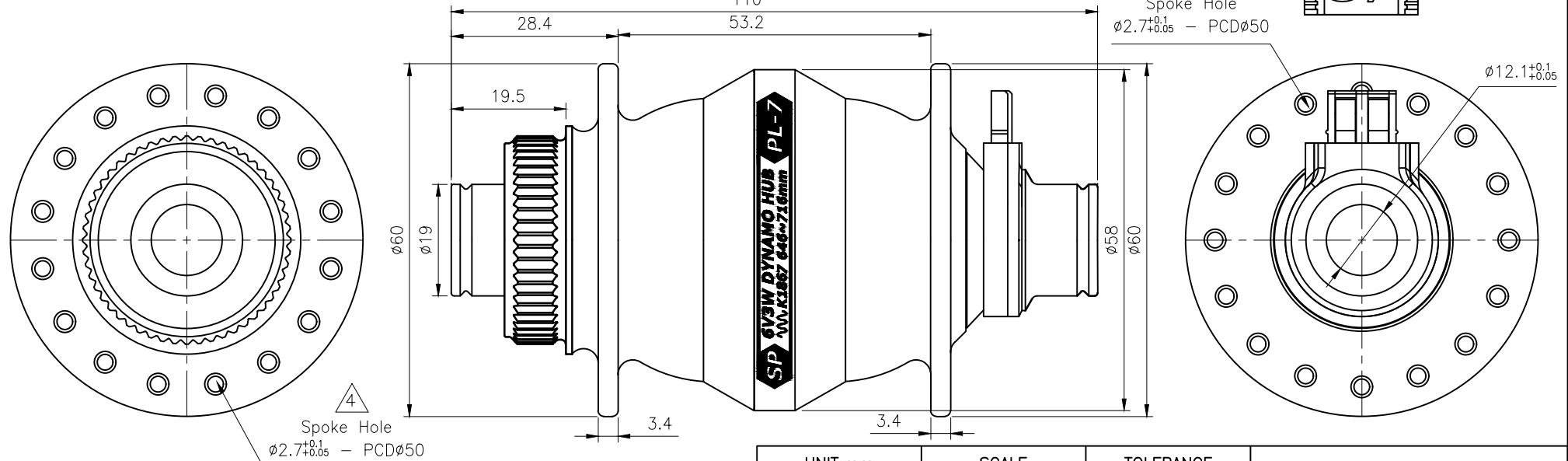
NOTE : Hub Serial No. : $\frac{7-A1}{99999}$, Font size : 1.4mm.
 Product Code
 Serial No.



Axle Type	QR
Spoke Holes	24/28/32/36
Output	6V3W
Wheel Diameter	646 ~ 716 mm
Weight	390g \triangle



Spoke Hole $\phi 2.7^{+0.1}_{-0.05}$ - PCD $\phi 50$



UNIT:mm	SCALE	TOLERANCE	Hub dynamo	
	1:1	± 0.5	SP Model	6 Series
DRAWN	CHECKED	APPROVED	MODEL	
			PL-7-110-04	

\triangle 4	2024.06.26		Modification of product's appearance
\triangle 3	2023.08.08		Expand the variety of spoke counts
\triangle 2	2020.12.29		Modification of laser etching pattern
\triangle	Date	ECR No.	Description