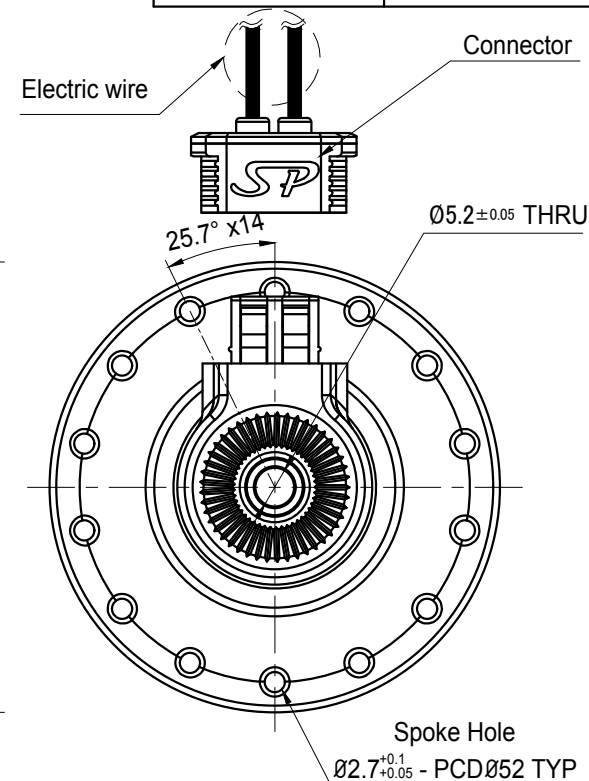
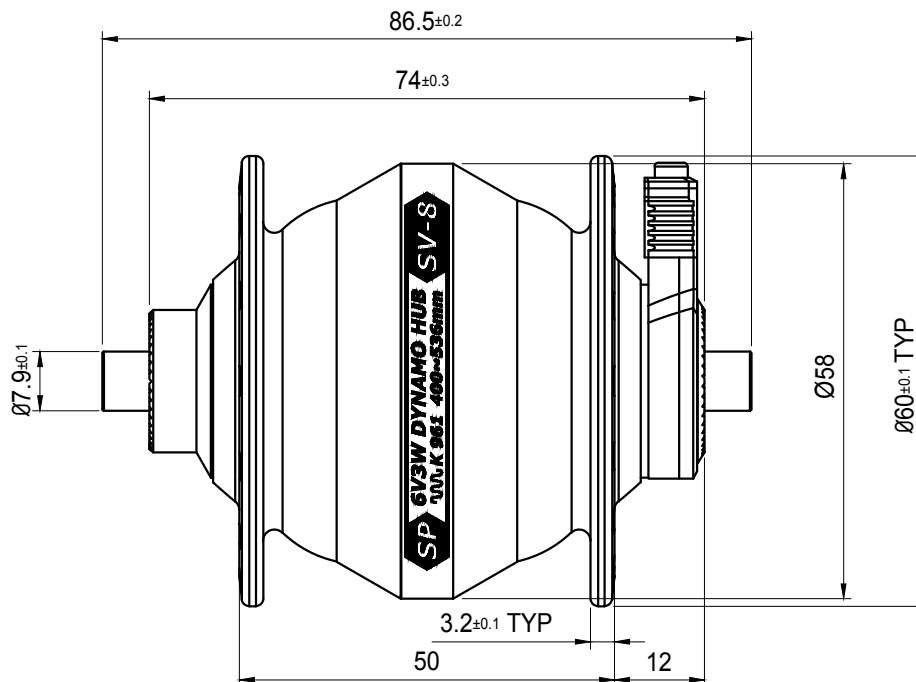
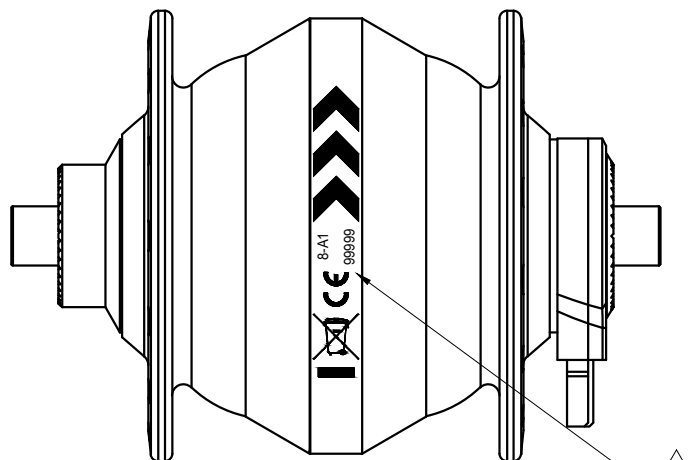
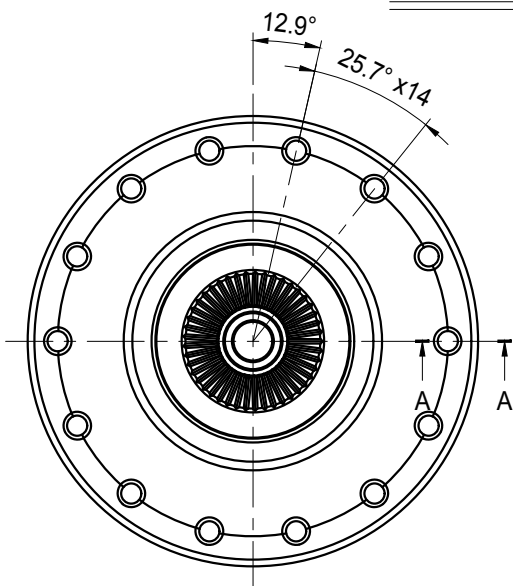
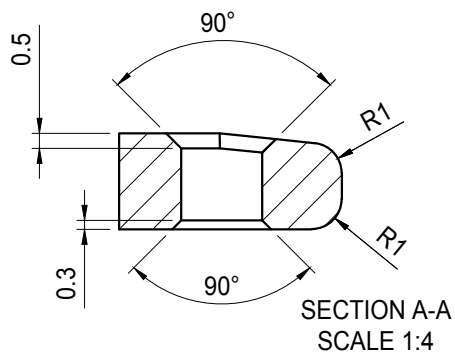


Product Specification

Laser etching way: Both sides with different patterns, which should follow the drawing.

NOTE : Hub Serial No. : 8-A1
99999 , Font size : 1.4 mm.
Product Code
Serial No.



Item	Specification
Axle Fixing Bolt	QR
Spoke Hole	28
Seal	Bearing *2
Output Voltage	6V3W
Wheel Diameter	400 ~536 mm
Weight	350 g
Torque w/o loading	< 3 Kgf-cm
Connector	CN002A-01 (Grey)
Dynamo	MD002B

Version Date: 2020.07.14

UNIT:mm	SCALE	TOLERANCE
	1:1	± 0.5
MAKE	CHECK	CONFORM

Hub dynamo	
SP Model	8 Series
MODEL	SV-8-FC-01

1	Version Date	ECR No.	Description
2020.07.14			Laser etching way is change